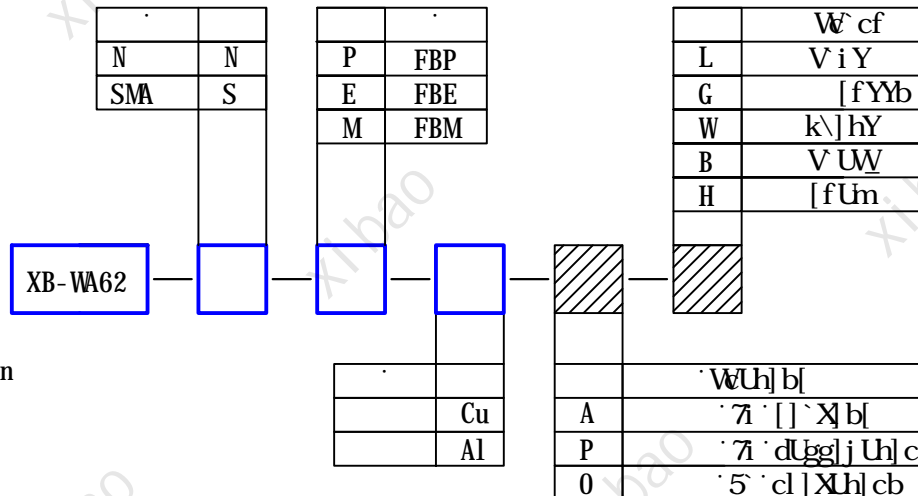


### Specification

ft fYeL .....% - - 18.0GHz  
 ft `Ub| YL .....FBP/FBE/FBM  
 fUJKFL ..... 1.25  
 ft=@L ..... 0.3dB  
 ff7cbbYwcfL B#CA5  
 f1ALhyf] U L # `7i #5`  
 ff7KL .....SK  
 ff7cUh] b] L .....

Cu gilding  
 Cu passivation  
 Al oxidation

### Model selected



### Instruction

Blue boxes are must required fields.  
Shadow boxes aren't option, randomly selected according to inventory.

Beijing Xibao Electronic Technology Co.,Ltd
fIKF* &#G>% SL
Waveguide to Coaxial Adapter(WR62/BJ140)
www.beijingxibao.com 010-62312909 62327421