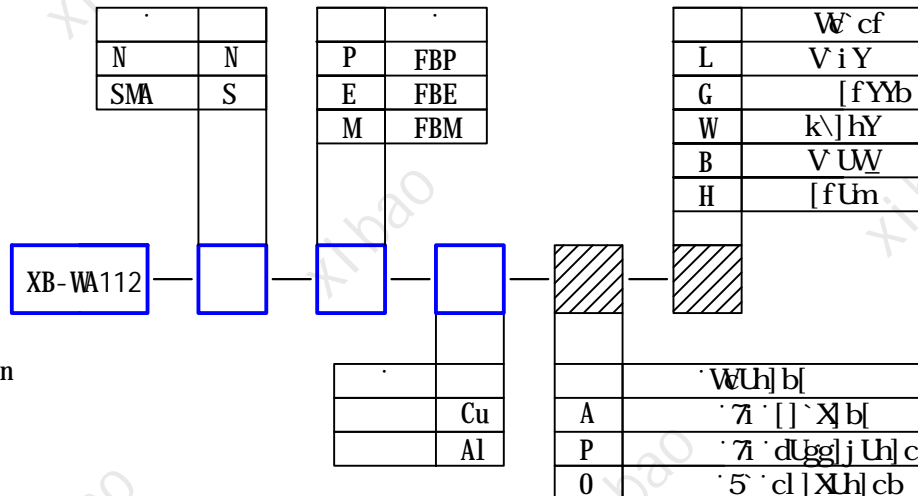


Specification

ft fYeL 6.57-9.99GHz
 ft `Ub| YL FBP/FBE/FBM
 fUJKFL 1.20
 ft=@L 0.3dB
 ff7cbbYwcfL B#CA5
 f1ALhyf] U L # 7 #5
 ff7KL SK
 ff7cUh] b[L ..

Cu gilding
 Cu passivation
 Al oxidation

Model selected



Instruction

Blue boxes are must required fields. Shadow boxes aren't option, randomly selected according to inventory.

Beijing Xibao Electronic Technology Co.,Ltd
f1KF112#G>84L
Waveguide to Coaxial Adapter(WA112/BJ84)
www.beijingxibao.com 010-62312909 62327421